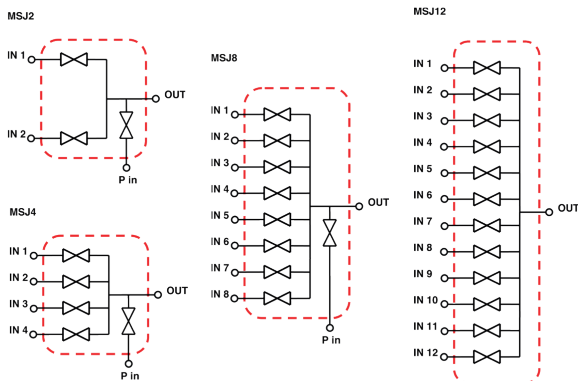


IAG nG MSJ gas line switches are impressive for their extremely compact design, lasting, complete seal tightness and maintenance-friendliness.

IAG nG gas line switches are especially impressive because of their compactness and long life even under heavy usage conditions. As with every IAG nG device, special attention is paid to careful gas flow with minimal internal volume and no stub lines or undercutting, as well as uniform heating with ample performance for heating up quickly. The **MSJ**s have an in-built heat regulator for internal heating. Control of the compressed-air balanced valve is bit parallel with 24V control voltage. The maximum line diameter for gas inlets for the **MSJ 12** is 35 mm.

The **MSJ 2,4** and **8** are backflushable. The **MSJ 2** can be equipped with 2 extra heating circuits for oncoming heated lines. Maximum inlet pressure for all **MSJ** is 3 bar. All **MSJ** are available in a high pressure version for max. 6 bar inlet pressure. If an **MSJ** is connected to an IAG nG measuring unit, control, parameterisation and monitoring can be carried out via the measuring unit display.



Advantages

- + Long Life
- + Compact
- + Backflushable
- + Impervious to Particles
- + Simple Actuation
- + Easy Maintenance
- + Inlet Pressure up to 3 Bar

Options

- 2 Gas Inlets
- 2 Gas Inlets and 2 Heating Circuits
- 4 Gas Inlets
- 8 Gas Inlets
- 12 Gas Inlets
- Gas Connections according Customer Specs
- Inlet Pressure 6 Bar
- Modbus RTU / TCP Control
- SilcoTek Surface Treatment

Technical Data

Dimensions 2 Inlets:	150 x 240 x 160 mm
Gas Inlets:	Separately Backflushable
Dimensions 4 Inlets:	150 x 300 x 160 mm
Gas Inlets:	Separately Backflushable
Dimensions 8 Inlets:	150 x 400 x 160 mm
Gas Inlets:	Separately Backflushable
Dimensions 12 Inlets:	140 x 390 x 140mm
Gas Inlets:	Backflushable from Emission Bench
Sample Gas Connections:	Swagelok 8mm
Inlet Pressure Standard:	max. 3 bar
Heated Valveblock:	max. 200°C
Control Connector:	Sub D-15pin
Pin Assignment:	1-12 Gas, Inlets/13 Com/14, 15 Alarmrelais
Power Supply:	230V/250W IEC
Compressed Air:	Push in 6 mm, 3-5 bar